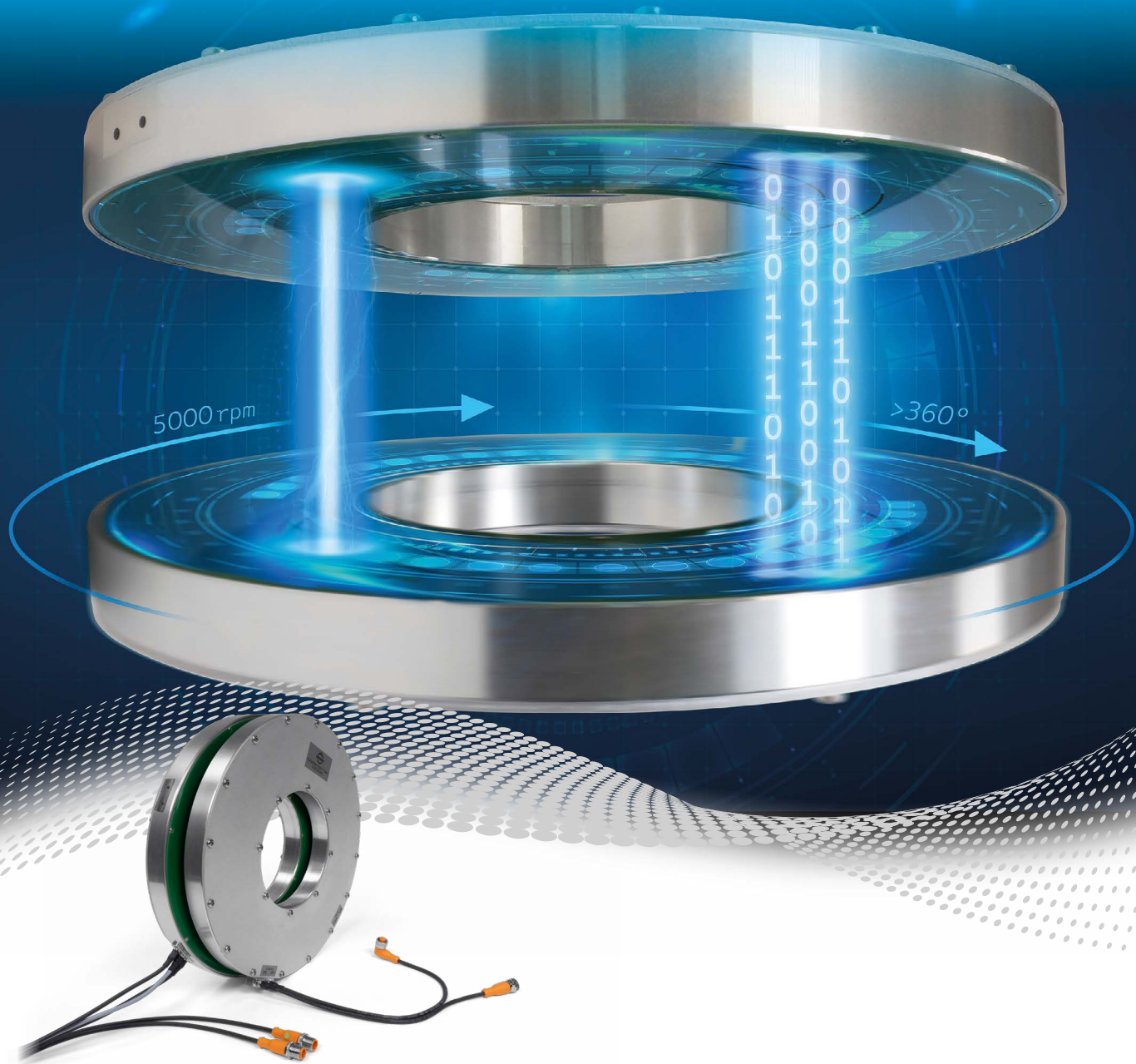


SPINNER

Dual-Channel Transmitter for IO-Link Protocol

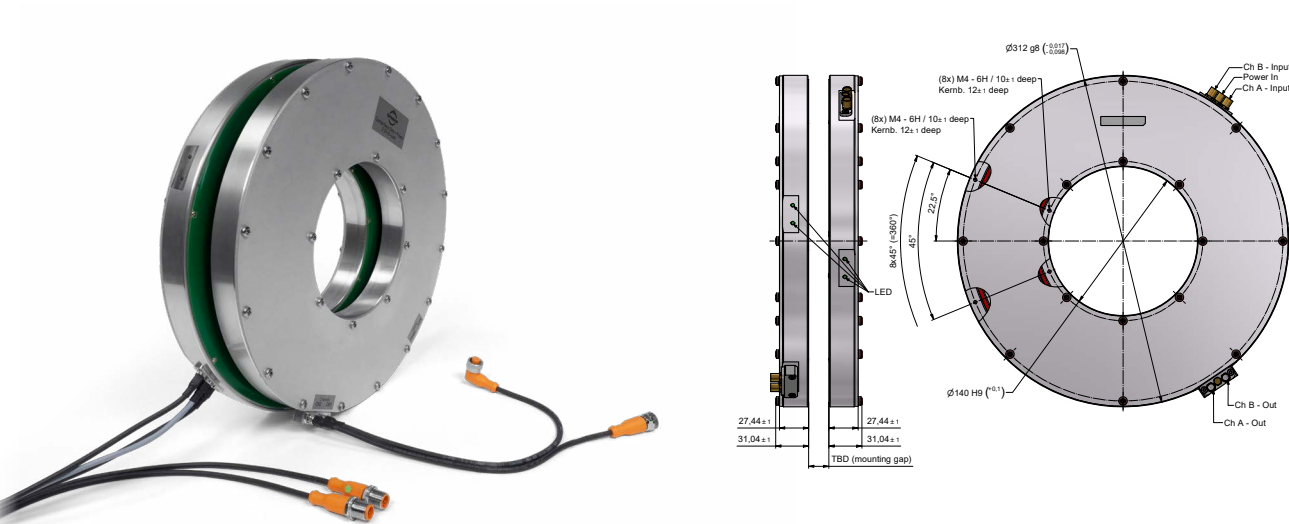


Contactless Data and Power Transmission

HIGH FREQUENCY PERFORMANCE WORLDWIDE
www.spinner-group.com



2-Channel Transmitter for IO-Link Protocol



Features:

- ✓ Large 140 mm free internal passage (scalable to other diameters)
- ✓ Suitable for high rotational speeds
- ✓ Ingress protection code IP64
- ✓ Simple integration
 - Bearing-free system
 - High tolerance for clearances, 1 - 3 mm
 - Insensitive to minor misalignments
- ✓ 2 channel IO-Link with up to 230 kbit/s each
- ✓ Integrated contactless power transmission for up to 20 W @ 24 VDC

HIGH FREQUENCY PERFORMANCE WORLDWIDE

SPINNER designs and builds cutting-edge radio frequency systems, setting performance and longevity standards for others to follow. The company's track record of innovation dates back to 1946, and many of today's mainstream products are rooted in SPINNER inventions.

Industry leaders continue to count on SPINNER's engineering excellence to drive down their costs of service and ownership with premium-quality, off-the-shelf products and custom solutions. Headquartered in Munich, Germany, the global frontrunner in RF components remains the first choice in simple-yet-smart RF solutions.

SPINNER GmbH | Erzgiessereistr. 33 | 80335 Munich | Germany
Phone: +49 89 12601-0 | tm@spinner-group.com | www.spinner-group.com

Data subject to change without notice